

FEATURED MODEL

157-102-CR BLANCO NEO RADOS in Polished Chrome

ADDITIONAL MODELS

157-102-ST Stainless (Satin Nickel)

FEATURES

- Solid brass body
- Ceramic disc cartridge
- Color coded hot & cold supply lines
- Reversible mounting hardware adapts to thick or thin mounting surfaces
- 2.2 G.P.M. flow rate
- Installation in a 1-3/8" hole

CODE/STANDARDS COMPLIANCE

ASME A112.18.1-2005

IAPMO Listed

WARRANTY

Blanco America's Bar faucets feature a "NO HASSLE" LIMITED LIFETIME WARRANTY to be free of all manufacturing defects under normal use. See our complete warranty for details.

While Blanco America endeavors to provide accurate information, all dimensions are nominal, cannot be guaranteed, and are subject to change or cancellation. Blanco America assumes no responsibility for use of superseded or voided specifications.

PRODUCT SPECIFICATION

Contemporary bar faucet to include loop handle with solid brass body and ceramic disc cartridge. Faucet dimensions to be as follows: Reach: 7"; Spout Height: 8-3/8". Hot and cold supply lines to be color coded. Reversible mounting hardware to adapt to thick or thin mounting surfaces. Bar faucet to be BLANCO NEO RADOS, Model 157-102-_____ in _____ finish.

Polished Chrome 157-102-CR

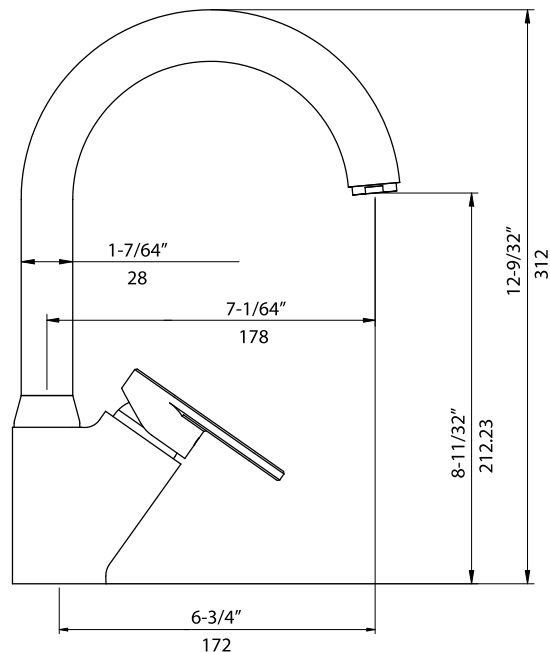
Stainless (Satin Nickel) 157-102-ST



MODEL 157-102

NOMINAL DIMENSIONS

MODEL	REACH	SPOUT HEIGHT	FAUCET HEIGHT
157-102	7	8-3/8	12-1/4



JOB INFORMATION

Job Name: _____

Contact: _____

Date Specified: _____

Specifier: _____

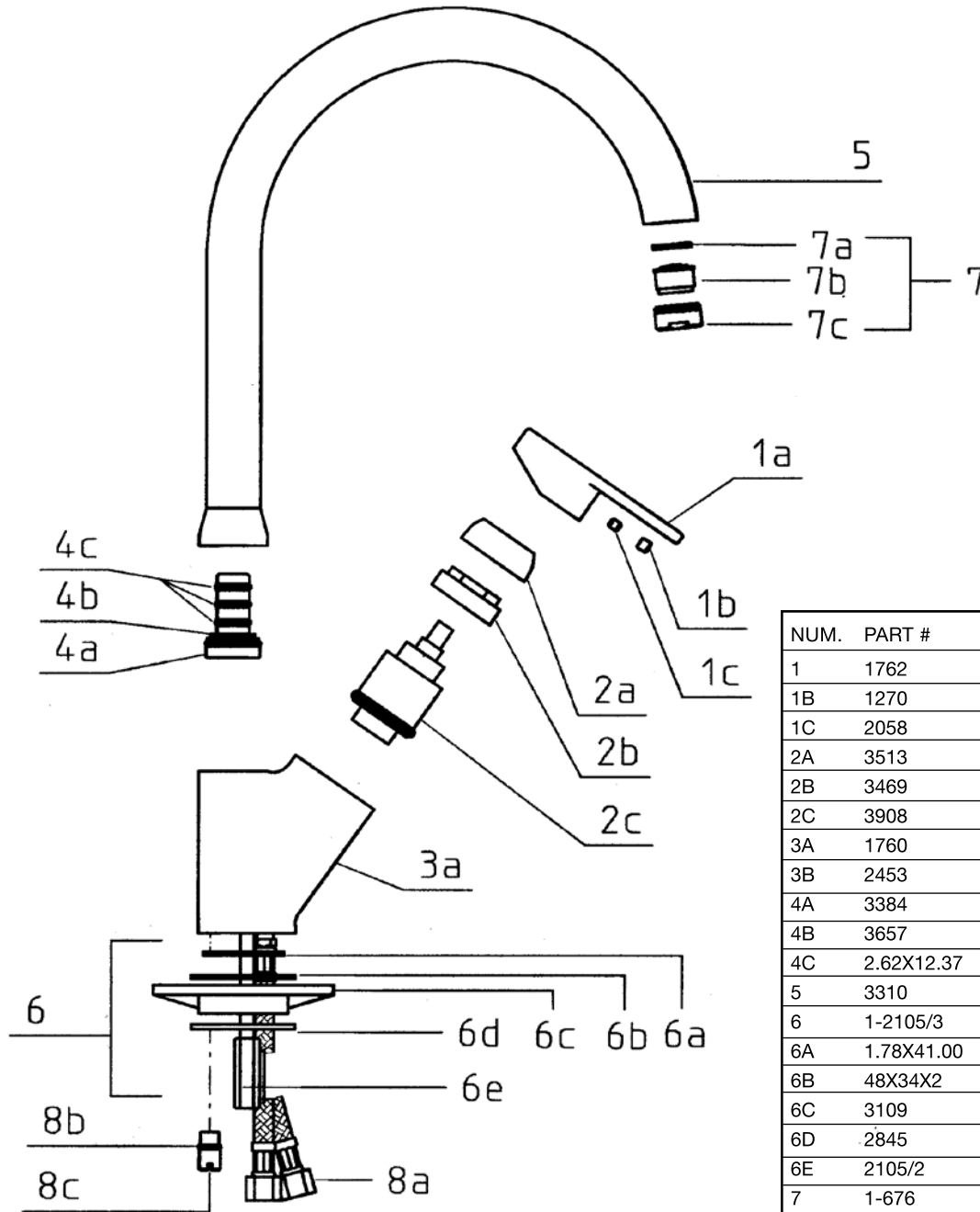
Contractor: _____

See next page for exploded parts drawing and parts list.

BLANCO AMERICA
800.451.5782
www.blancoamerica.com

BLANCO NEO RADOS

MODEL 157-102



NUM.	PART #	DESCRIPTION
1	1762	HANDLE
1B	1270	BUTTON
1C	2058	SCREW
2A	3513	CAP
2B	3469	NUT
2C	3908	CARTRIDGE
3A	1760	BODY
3B	2453	DIVERTER
4A	3384	NIPPLE
4B	3657	TEFLON RING
4C	2.62X12.37	O-RING
5	3310	SPOUT
6	1-2105/3	MOUNTING NUT ASSY
6A	1.78X41.00	O-RING
6B	48X34X2	RUBBER WASHER
6C	3109	PLASTIC BASE
6D	2845	METAL WASHER
6E	2105/2	NUT
7	1-676	AERATOR SET
7A		RUBBER WASHER
7B		SCREEN
7C		AERATOR RING
8A	2350	HOSE
8B	1.78X7.94	O-RING
8C	3161	PLUG